

SCX[®] 

2021

SCX[®] COMPACT



1/43 Scale

SCX[®] ORIGINAL 1:32 SLOT RACING SYSTEM



1/32 Scale
Original System

SCX[®] ADVANCE



1/32 Scale
Digital System

SCX[®]

COMPACT

SCX Compact or 1:43 racing sets offer all the fun and excitement 1/32 does but at smaller size. Youngest racers will enjoy fantastic layouts, loopings, bridges, lap counters and many more cool challenges in tight spaces.

Compact sets offer a wide range of different configurations: sets powered by batteries, big time circuits, with and without wireless hand controls, sets with loopings, etc.

Everything to make children thrill and increase their love for races and competition cars.

SCX[®] 
COMPACT

Racing Sets

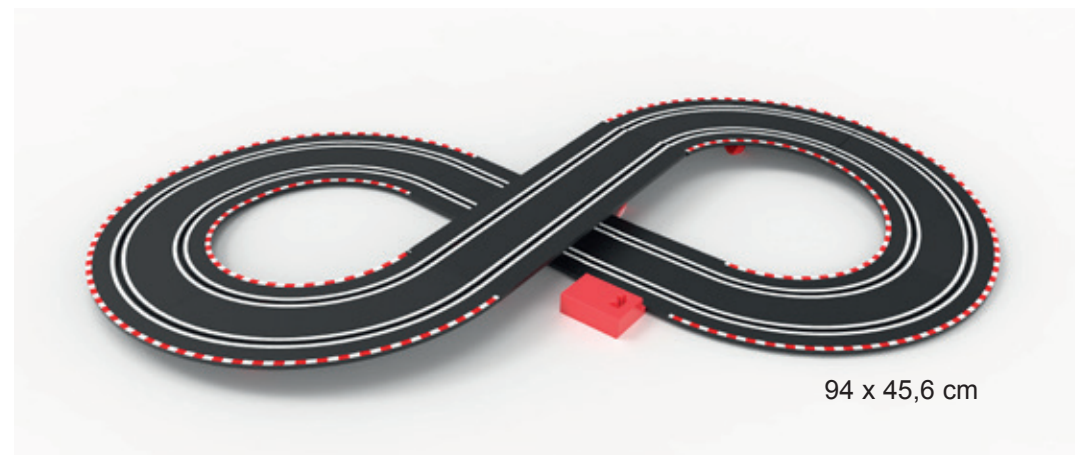
Ref: C10368X500



Formula F-Blue

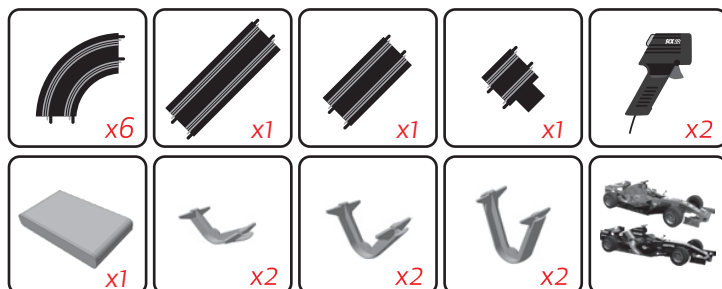


Formula F-Red



94 x 45,6 cm

Battery Operated!



CONTENTS

- 2,3 m. Track lenght
- 1 x Formula F-Red
- 1 x Formula F-Black
- 1 x Bridge
- 2 x Standard handcontrollers
- 1 x Battery Box

DATA

- EAN: 8436572911314
- DUN: 18436572911311
- Product box dimensions: 48 x 36 x 7 cm
- Master carton dimensions: 50 X 38 X 44 cm
- Units per master carton: 6
- Product weight: 2 Kg
- Master carton wheight: 12,5 Kg
- M. carton volume: 0,084 m³

Ref: C10304X500



48 x 42 x 7cm



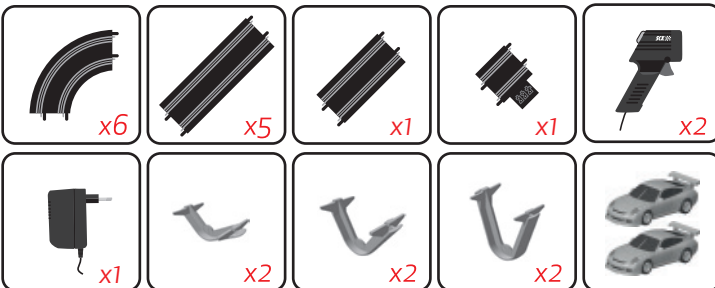
SCX Porsche 911 GT3 - Tio



SCX Porsche 911 GT3 - Bott



114 x 114 cm



CONTENTS

- 3,66 m. Track length
- 1 x Porsche 911 GT3 "Bott"
- 1 x Porsche 911 GT3 "Tio"
- 1 x Bridge
- 2 x Standard handcontrollers
- 1 x 12V. Power pack

DATA

- EAN: 8436572910706
- DUN: 18436572910703
- Product box dimensions: 48 x 42 x 7 cm
- Master carton dimensions: 50 X 44 X 44 cm
- Units per master carton: 6
- Product weight: 2,3 Kg
- Master carton weight: 14,300 Kg
- M. carton volume: 0,069 m³

Ref: C10305X500



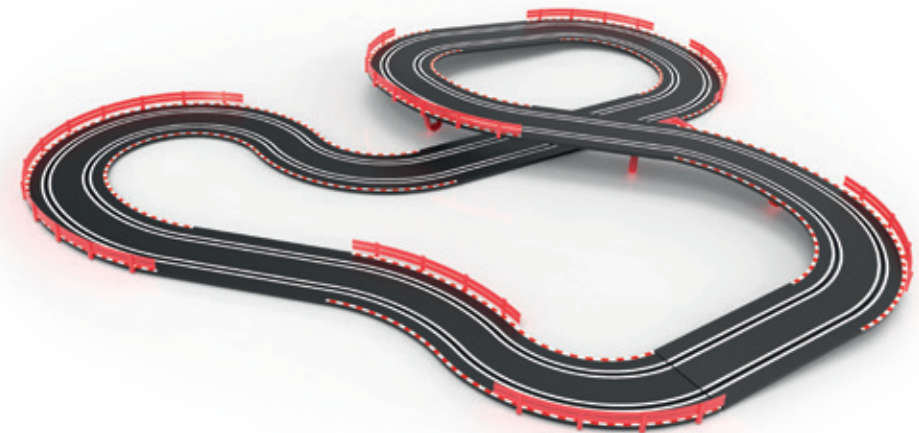
56 x 47 x 7cm



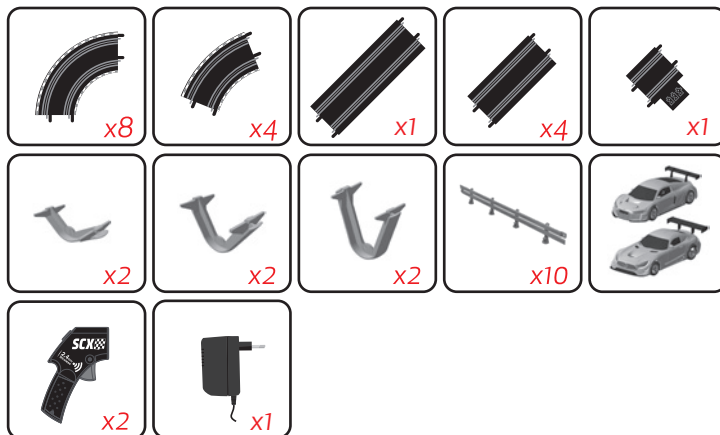
Audi R8 LMS GT3 - Audi Sport



Mercedes AMG GT3 - #6 Green



126 x 102 cm

**CONTENTS**

- 4,4 m. Track Length
- 1 x Mercedes AMG GT3 "Green"
- 1 x Audi R8 LMS GT3 "AudiSport"
- 1 x Bridge
- 2 x Wireless handcontrollers
- 1 x 12V. Power Pack
- 10 x Guardrails
- Red and White Deco on Curve Tracks

DATA

- EAN: 8436572910744
- DUN: 18436572910741
- Product Box Dimensions: 56 x 47 x 7 cm
- Master Carton Dimensions: 58 X 49 X 30 cm
- Units per Master Carton: 4
- Product Weight: 2,75 kg
- Master Carton Weight: 11 kg
- M. Carton Volume: 0,088 m³

Crazy Rally

March / April **NEW**

Ref: C10306X500



56 x 47 x 7cm



Audi S1 WRX - Extre



Audi S1 WRX - Red Bull



160 x 127 cm



CONTENTS

- 6,6 m. Track Length
- 1 x Audi S1 WRX
- 1 x Audi S1 WRX
- 2 x Loopings
- 1 x Bridge
- 2 x Wireless handcontrollers
- 1 x 12V. Power Pack
- 11 x Guardrails
- Red and White Deco on Curve Tracks

DATA

- EAN: 8436572910775
- DUN: 18436572910772
- Product Box Dimensions: 56 x 47 x 7 cm
- Master Carton Dimensions: 58 x 49 x 30 cm
- Units per Master Carton: 4
- Product Weight: 3,67 kg
- Master Carton Weight: 14,7 kg
- M. Carton Volume: 0,112 m³

SETS

SCX
COMPACT

SCX[®] 
COMPACT

Cars

SCX Aston Martin Vantage GT3 - TAG

August / September

NEW

Ref: C10374X300

With Lights, for the First Time!



DATA

- EAN: 8436572911437
- DUN: 18436572911434
- Product Blister Dimensions: 19 x 17 x 5 cm
- Master Carton Dimensions: 20 X 19,5X 19,5 cm
- Units per Master Carton: 6
- Product Weight: 0,1 Kg
- Master Carton Weight: 0,7 Kg
- M. Carton Volume: 0,008 m³



CARS

Audi R8 LMS GT3 - ABP

August / September

NEW

Ref: C10372X300

With Lights, for the First Time!



DATA

- EAN: 8436572911390
- DUN: 18436572911397
- Product Blister Dimensions: 19 x 17 x 5 cm
- Master Carton Dimensions: 20 X 19,5X 19,5 cm
- Units per Master Carton: 6
- Product Weight: 0,1 Kg
- Master Carton Weight: 0,7 Kg
- M. Carton Volume: 0,008 m³


SCX
COMPACT

Audi S1 RX - Doran

August /September **NEW**

Ref: C10378X300

With Lights, for the First Time!



DATA

- EAN: 8436572911543
- DUN: 18436572911540
- Product Blister Dimensions: 19 x 17 x 5 cm
- Master Carton Dimensions: 20 X 19,5X 19,5 cm
- Units per Master Carton: 6
- Product Weight: 0,1 Kg
- Master Carton Weight: 0,7 Kg
- M. Carton Volume: 0,008 m³



Formula F-Red

April /May **NEW**

Ref: C10376X300

DATA

- EAN: 8436572911475
- DUN: 18436572911472
- Product Blister Dimensions: 19 x 17 x 5 cm
- Master Carton Dimensions: 20 X 19,5X 19,5 cm
- Units per Master Carton: 6
- Product Weight: 0,1 Kg
- Master Carton Weight: 0,7 Kg
- M. Carton Volume: 0,008 m³



Formula F-Blue

April /May **NEW**

Ref: C10375X300

DATA

- EAN: 8436572911451
- DUN: 18436572911458
- Product Blister Dimensions: 19 x 17 x 5 cm
- Master Carton Dimensions: 20 X 19,5X 19,5 cm
- Units per Master Carton: 6
- Product Weight: 0,1 Kg
- Master Carton Weight: 0,7 Kg
- M. Carton Volume: 0,008 m³



CARS

Hyundai i-20 RX - Champion

August /September **NEW**

Ref: C10377X300

DATA

- EAN: 8436572911505
- DUN: 18436572911502
- Product Blister Dimensions: 19 x 17 x 5 cm
- Master Carton Dimensions: 20 X 19,5X 19,5 cm
- Units per Master Carton: 6
- Product Weight: 0,1 Kg
- Master Carton Weight: 0,7 Kg
- M. Carton Volume: 0,008 m³



With Lights, for the First Time!



SCX
COMPACT

Mercedes AMG GT3 - Akka

August /September

NEW

Ref: C10371X300

With Lights, for the First Time!



DATA

- EAN: 8436572911376
- DUN: 18436572911373
- Product Blister Dimensions: 19 x 17 x 5 cm
- Master Carton Dimensions: 20 X 19,5X 19,5 cm
- Units per Master Carton: 6
- Product Weight: 0,1 Kg
- Master Carton Weight: 0,7 Kg
- M. Carton Volume: 0,008 m³



CARS

SCX Porsche 911 GT3 - Gulf

August /September

NEW

Ref: C10373X300

With Lights, for the First Time!



DATA

- EAN: 8436572911413
- DUN: 18436572911410
- Product Blister Dimensions: 19 x 17 x 5 cm
- Master Carton Dimensions: 20 X 19,5X 19,5 cm
- Units per Master Carton: 6
- Product Weight: 0,1 Kg
- Master Carton Weight: 0,7 Kg
- M. Carton Volume: 0,008 m³

SCX
COMPACT

Audi R8 LMS GT3 - TecSOM

Available

Ref:C10272X300

DATA

- EAN: 8436572910515
- DUN: 18436572910512
- Product Blister Dimensions: 19 x 17 x 5 cm
- Master Carton Dimensions: 20 X 19,5X 19,5 cm
- Units per Master Carton: 6
- Product Weight: 0,1 Kg
- Master Carton Weight: 0,7 Kg
- M. Carton Volume: 0,008 m³



Audi R8 LMS GT3 - Huet

Available

Ref:C10273X300

DATA

- EAN: 8436572910522
- DUN: 18436572910529
- Product Blister Dimensions: 19 x 17 x 5 cm
- Master Carton Dimensions: 20 X 19,5X 19,5 cm
- Units per Master Carton: 6
- Product Weight: 0,1 Kg
- Master Carton Weight: 0,7 Kg
- M. Carton Volume: 0,008 m³



Audi S1 WRX - Red Bull

Available

Ref: C10313X300



DATA

- EAN: 8436572910911
- DUN: 18436572910918
- Product Blister Dimensions: 19 x 17 x 5 cm
- Master Carton Dimensions: 20 X 19,5X 19,5 cm
- Units per Master Carton: 6
- Product Weight: 0,1 Kg
- Master Carton Weight: 0,7 Kg
- M. Carton Volume: 0,008 m³

Audi S1 WRX - Exte

Available

Ref: C10314X300



DATA

- EAN: 8436572910935
- DUN: 18436572910932
- Product Blister Dimensions: 19 x 17 x 5 cm
- Master Carton Dimensions: 20 X 19,5X 19,5 cm
- Units per Master Carton: 6
- Product Weight: 0,1 Kg
- Master Carton Weight: 0,7 Kg
- M. Carton Volume: 0,008 m³

Audi R8 LMS GT3 - Audi Sport

Available

Ref: C10308X300



DATA

- EAN: 8436572910812
- DUN: 18436572910819
- Product Blister Dimensions: 19 x 17 x 5 cm
- Master Carton Dimensions: 20 X 19,5X 19,5 cm
- Units per Master Carton: 6
- Product Weight: 0,1 Kg
- Master Carton Weight: 0,7 Kg
- M. Carton Volume: 0,008 m³

SCX Porsche 911 GT3 - Tio

Available

Ref: C10312S300



DATA

- EAN: 8436572910898
- DUN: 18436572910895
- Product Blister Dimensions: 19 x 17 x 5 cm
- Master Carton Dimensions: 20 X 19,5X 19,5 cm
- Units per Master Carton: 6
- Product Weight: 0,1 Kg
- Master Carton Weight: 0,7 Kg
- M. Carton Volume: 0,008 m³

SCX Porsche 911 GT3 - Bott

Available

Ref: C10311X300



DATA

- EAN: 8436572910874
- DUN: 18436572910871
- Product Blister Dimensions: 19 x 17 x 5 cm
- Master Carton Dimensions: 20 X 19,5X 19,5 cm
- Units per Master Carton: 6
- Product Weight: 0,1 Kg
- Master Carton Weight: 0,7 Kg
- M. Carton Volume: 0,008 m³

Mercedes AMG GT3 - #6 Green

Available

Ref: C10309X300



DATA

- EAN: 8436572910836
- DUN: 18436572910833
- Product Blister Dimensions: 19 x 17 x 5 cm
- Master Carton Dimensions: 20 X 19,5X 19,5 cm
- Units per Master Carton: 6
- Product Weight: 0,1 Kg
- Master Carton Weight: 0,7 Kg
- M. Carton Volume: 0,008 m³

Mercedes AMG GT3 - Blancpain #6

Available

Ref:C10270X300

DATA

- EAN: 8436572910492
- DUN: 18436572910499
- Product Blister Dimensions: 19 x 17 x 5 cm
- Master Carton Dimensions: 20 X 19,5X 19,5 cm
- Units per Master Carton: 6
- Product Weight: 0,1 Kg
- Master Carton Weight: 0,7 Kg
- M. Carton Volume: 0,008 m³



Mercedes AMG GT3 - Race Scout

Available

Ref:C10271X300

DATA

- EAN: 8436572910508
- DUN: 18436572910505
- Product Blister Dimensions: 19 x 17 x 5 cm
- Master Carton Dimensions: 20 X 19,5X 19,5 cm
- Units per Master Carton: 6
- Product Weight: 0,1 Kg
- Master Carton Weight: 0,7 Kg
- M. Carton Volume: 0,008 m³



SCX[®] 
COMPACT

Accessories

Compact Guide with Braids (3) (Black)

April **NEW**

Ref: C10379X200

DATA

- EAN: 8436572911567
- DUN: 18436572911564
- Product Blister Dimensions: 18,3 x 8,2 x 1,6 cm
- Master Carton Dimensions: TBC
- Units per Master Carton: 12
- Product Weight: TBC
- Master Carton Weight: TBC
- M. Carton Volume: TBC



Set Doble Looping

April **NEW**

Ref: C10380X100

CONTENTS

- 8 x Tracks Looping

DATA

- EAN: 8436572911574
- DUN: 18436572911571
- Product Box Dimensions: TBC
- Master Carton Dimensions: TBC
- Units per Master Carton: 4
- Product Weight: TBC
- Master Carton Weight: TBC
- M. Carton Volume: TBC



Compact Track Enlargement Set

Available

Ref: C10276X100

CONTENTS

- 4 x STD 90° Curve Track
- 2 x 342mm Straight Track
- 2 x 228mm Straight Track

DATA

- EAN: 8436572910195
- DUN: 18436572910192
- Product Box Dimensions: 43 x 16,5 x 6,8 cm
- Master Carton Dimensions: 45 x 18,5 x 29,2 cm
- Units per Master Carton: 4
- Product Weight: 0,8 kg
- Master Carton Weight: 3,2 kg
- M. Carton Volume: 0,024 m³



Compact Handcontroller

Available

Ref:C10274X200

DATA

- EAN: 8436572910171
- DUN: 18436572910178
- Product Box Dimensions: 20 x 10 x 3,3 cm
- Master Carton Dimensions: 22 x 12 x 15,3 cm
- Units per Master Carton: 4
- Product Weight: 0,1 kg
- Master Carton Weight: 0,4 kg
- M. Carton Volume: 0,004 m³



(hanging box)

Available

Lap Counter Track

Ref:C10275X200

DATA

- EAN: 8436572910188
- DUN: 18436572910185
- Product Box Dimensions: 33,3 x 16,3 x 2,5 cm
- Master Carton Dimensions: 35,3 x 18,3 x 12 cm
- Units per Master Carton: 4
- Product Weight: 0,2 kg
- Master Carton Weight: 0,7 kg
- M. Carton Volume: 0,008 m³



(hanging box)



ORIGINAL 1:32 SLOT RACING SYSTEM

Everlasting 1/32 scale is the "Racing Scale".

Is the one delivering big time emotions and experiences as no other has.

Is the Scale that has made scale' racing competitions a worldwide success delivering the most exciting and quality racing cars.

1/32 offers the perfect combination: The size to design and make beautiful replicas and a great driving experience, a real feeling of competing against up to 8 mates with a powerful car not that easy to manage if you race to win!

1/32 will drive you through a real competition behong
your imagination.

SCX[®] 

ORIGINAL 1:32 SLOT RACING SYSTEM

Racing Sets

GT Race

June / July

NEW

Ref: U10384X500



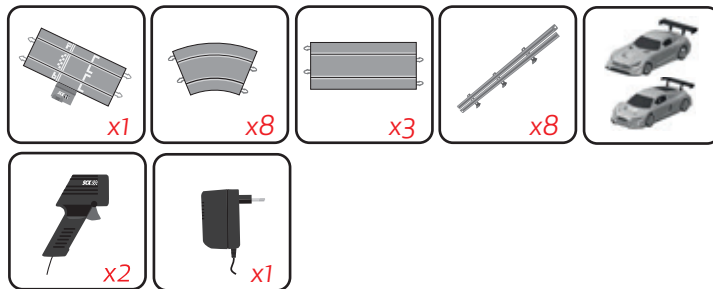
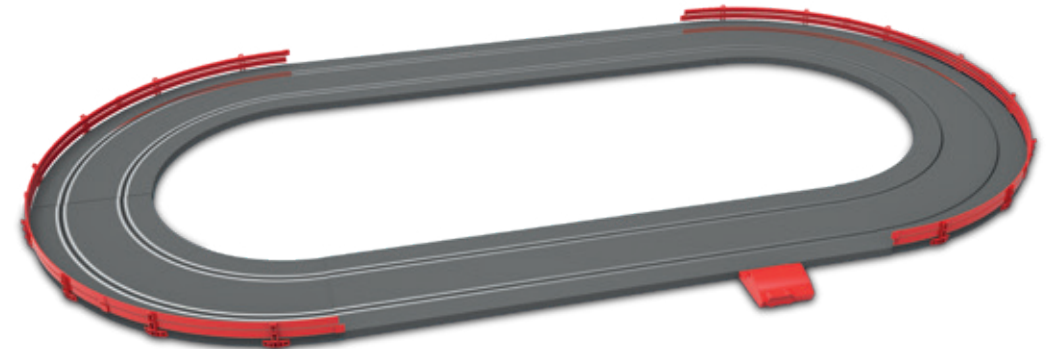
64 x 43 x 11 cm



Mercedes AMG GT3 - Nefis



Audi R8 LMS GT3 - Scherer



CONTENTS

- 3,33 m. Track lenght
- 1 x Audi R8 LMS GT3
- 1 x Mercedes AMG GT3
- 8 x 45° Standard Curve
- 3 x Standard Straigth Track 360 mm
- 1 x Connection Straigth track
- 8 x Guardrail
- 2 x Standard handcontrollers
- 1 x 14V. Power Pack

DATA

- EAN: 8436572911635
- DUN: 18436572911632
- Product box dimensions: 64,3 x 42,4 x 9,7 cm
- Master carton dimensions: 45 x 41,3 x 67,5 cm
- Units per master carton: 4
- Product weight: 3,5 kg
- Master carton wheight: 14,2 kg
- M. carton volume: 0,125 m³

SET

GT Open

April

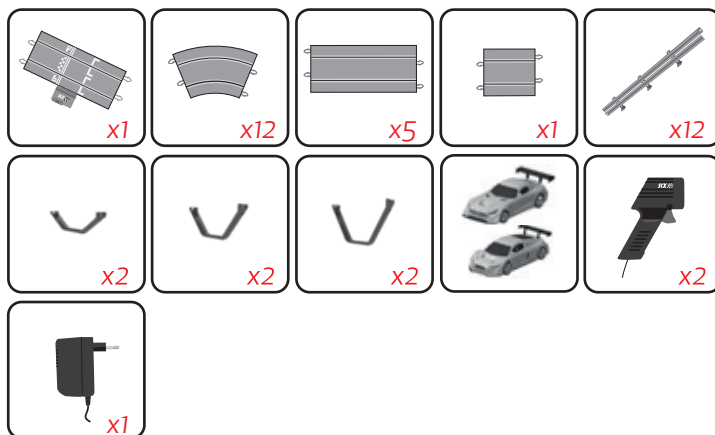
Ref: U10277X500



64 x 43 x 11 cm



183,5 x 147,5 cm



CONTENTS

- 5,22 m. Track lenght
- 1 x Audi R8 LMS GT3
- 1 x Mercedes AMG GT3
- 12 x 45° Standard Curve
- 5 x Standard Straigh Track 360 mm
- 1 x 180 mm Straigh Track
- 1 x Connection Straigh track
- 1 x Bridge Track Fly Over Supports
- 12x Guardrail
- 2 x Standard handcontrollers
- 1 x 14V. Power Pack

DATA

- EAN: 8436572910539
- DUN: 18436572910536
- Product Box Dimensions: 64 x 42,43 x 11 cm
- Master carton dimensions: 65,5 x 44,5 x 23,5 cm
- Units per master carton: 4
- Product weight: 5,5 kg
- Master carton wheight: 12 kg
- M. carton volume: 0,068 m³

SET

Mud Track

August / September **NEW**

Ref: U10385X500



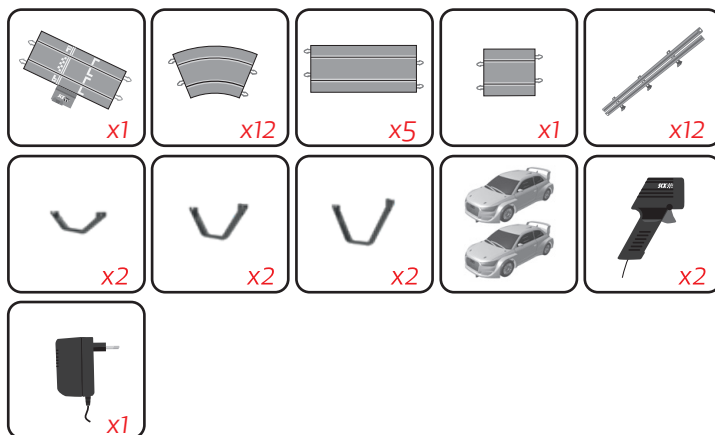
64 x 43 x 11 cm



Audi S1 RX - Blaklader

Hyundai i-20 RX - Taneco

184 x 148 cm



CONTENTS

- 5,22 m. Track lenght
- 1 x Audi S1 RX
- 1 x Hyundai i-20 RX
- 12 x 45° Standard Curve
- 5 x Standard Straigh Track 360 mm
- 1 x 180 mm Straigh Track
- 1 x Recta Conexiones
- 1 x Bridge Track Fly Over Supports
- 12 x Guardrail
- 2 x Standard handcontrollers
- 1 x 14V. Power Pack

DATA

- EAN: 8436572911659
- DUN: 18436572911656
- Product Box Dimensions: 64 x 43 x 11 cm
- Master carton dimensions: 65,5 x 44,5 x 23,5 cm
- Units per master carton: 2
- Product weight: 5,5 kg
- Master carton wheight: 12 kg
- M. carton volume: 0,068 m³

SCX[®] 

ORIGINAL 1:32 SLOT RACING SYSTEM

Cars

SCX Aston Martin Vantage GT3 - NBO

August / September

NEW

Ref: U10394X300



DATA

- EAN: 8436572911956
- DUN: 18436572911953
- Product Box Dimensions: 18,5 x 10 x 9 cm
- Master Carton Dimensions: 21,5 X 20 X 20 cm
- Units per Master Carton: 4
- Product Weight: 0,25 Kg
- Master Carton Weight: 1,22 Kg
- M. Carton Volume: 0,009 m³



SCX Aston Martin Vantage GT3 - St.Gallen

June / July

NEW

Ref: U10393X300



DATA

- EAN: 8436572911925
- DUN: 18436572911922
- Product Box Dimensions: 18,5 x 10 x 9 cm
- Master Carton Dimensions: 21,5 X 20 X 20 cm
- Units per Master Carton: 4
- Product Weight: 0,25 Kg
- Master Carton Weight: 1,22 Kg
- M. Carton Volume: 0,009 m³



Audi S1 RX - Blaklader

August / September

NEW

Ref: U10388X300

2021 DATA

- EAN: 8436572911765
- DUN: 18436572911762
- Product Box Dimensions: 18,5 x 10 x 9 cm
- Master Carton Dimensions: 21,5 X 20 X 20 cm
- Units per Master Carton: 4
- Product Weight: 0,25 Kg
- Master Carton Weight: 1,22 Kg
- M. Carton Volume: 0,009 m³



Audi R8 LMS GT3 - Scherer

June / July

NEW

Ref: U10387X300

DATA

- EAN: 8436572911727
- DUN: 18436572911724
- Product Box Dimensions: 18,5 x 10 x 9 cm
- Master Carton Dimensions: 21,5 X 20 X 20 cm
- Units per Master Carton: 4
- Product Weight: 0,25 Kg
- Master Carton Weight: 1,22 Kg
- M. Carton Volume: 0,009 m³



Audi S1 RX - VR

April / May

NEW

Ref: U10389X300



DATA

- EAN: 8436572911796
- DUN: 18436572911793
- Product Box Dimensions: 18,5 x 10 x 9 cm
- Master Carton Dimensions: 21,5 X 20 X 20 cm
- Units per Master Carton: 4
- Product Weight: 0,25 Kg
- Master Carton Weight: 1,22 Kg
- M. Carton Volume: 0,009 m³



Ford Escort Cosworth - Block

June / July

NEW

Ref: U10397X300

DATA

- EAN: 8436572912038
- DUN: 18436572912035
- Product Box Dimensions: 18,5 x 10 x 9 cm
- Master Carton Dimensions: 21,5 X 20 X 20 cm
- Units per Master Carton: 4
- Product Weight: 0,25 Kg
- Master Carton Weight: 1,22 Kg
- M. Carton Volume: 0,009 m³



Hyundai i-20 - Sordo

August / September

NEW

Ref: U10390X300

2021

DATA

- EAN: 8436572911826
- DUN: 18436572911823
- Product Box Dimensions: 18,5 x 10 x 9 cm
- Master Carton Dimensions: 21,5 X 20 X 20 cm
- Units per Master Carton: 4
- Product Weight: 0,25 Kg
- Master Carton Weight: 1,22 Kg
- M. Carton Volume: 0,009 m³



Hyundai i-20 RX - Gronholm

August / September

NEW

Ref: U10391X300



DATA

- EAN: 8436572911864
- DUN: 18436572911861
- Product Box Dimensions: 18,5 x 10 x 9 cm
- Master Carton Dimensions: 21,5 X 20 X 20 cm
- Units per Master Carton: 4
- Product Weight: 0,25 Kg
- Master Carton Weight: 1,22 Kg
- M. Carton Volume: 0,009 m³



Hyundai i-20 RX - Taneco

August / September

NEW

Ref: U10392X300

DATA

2021

- EAN: 8436572911895
- DUN: 18436572911892
- Product Box Dimensions: 18,5 x 10 x 9 cm
- Master Carton Dimensions: 21,5 X 20 X 20 cm
- Units per Master Carton: 4
- Product Weight: 0,25 Kg
- Master Carton Weight: 1,22 Kg
- M. Carton Volume: 0,009 m³



SCX Porsche 911 GT3 - Hybrid

August / September

NEW

Ref: U10395X300

DATA

- EAN: 8436572911987
- DUN: 18436572911984
- Product Box Dimensions: 18,5 x 10 x 9 cm
- Master Carton Dimensions: 21,5 X 20 X 20 cm
- Units per Master Carton: 4
- Product Weight: 0,25 Kg
- Master Carton Weight: 1,22 Kg
- M. Carton Volume: 0,009 m³



Mercedes AMG GT3 - Nefis

June / July

NEW

Ref: U10386X300

2021**DATA**

- EAN: 8436572911680
- DUN: 18436572911687
- Product Box Dimensions: 18,5 x 10 x 9 cm
- Master Carton Dimensions: 21,5 X 20 X 20 cm
- Units per Master Carton: 4
- Product Weight: 0,25 Kg
- Master Carton Weight: 1,22 Kg
- M. Carton Volume: 0,009 m³



Toyota Celica Safari

August / September

NEW

Ref: U10396X300

DATA

- EAN: 8436572912014
- DUN: 18436572912011
- Product Box Dimensions: 18,5 x 10 x 9 cm
- Master Carton Dimensions: 21,5 X 20 X 20 cm
- Units per Master Carton: 4
- Product Weight: 0,25 Kg
- Master Carton Weight: 1,22 Kg
- M. Carton Volume: 0,009 m³



Audi R8 LMS GT3 - MotorSport

Available

Ref: U10279X300

DATA

- EAN: 8436572910553
- DUN: 18436572910550
- Product Box Dimensions: 18,5 x 10 x 9 cm
- Master Carton Dimensions: 21,5 X 20 X 20 cm
- Units per Master Carton: 4
- Product Weight: 0,25 Kg
- Master Carton Weight: 1,22 Kg
- M. Carton Volume: 0,009 m³



Lancia Delta Integrale - Rally Safari

Available

Ref:U10246X300

DATA

- EAN: 8436572910577
- DUN: 18436572910574
- Product Box Dimensions: 18,5 x 10 x 9 cm
- Master Carton Dimensions: 21,5 X 20 X 20 cm
- Units per Master Carton: 4
- Product Weight: 0,25 Kg
- Master Carton Weight: 1,22 Kg
- M. Carton Volume: 0,009 m³



Lancia Fulvia 1.6 HF - Munari-Mannucci

Available

Ref: U10247X300

DATA

- EAN: 8436572910560
- DUN: 18436572910567
- Product Box Dimensions: 18,5 x 10 x 9 cm
- Master Carton Dimensions: 21,5 X 20 X 20 cm
- Units per Master Carton: 4
- Product Weight: 0,25 Kg
- Master Carton Weight: 1,22 Kg
- M. Carton Volume: 0,009 m³



Mercedes AMG GT3 - Vodafone

Available

Ref: U10331X300

DATA

- EAN: 8436572910959
- DUN: 18436572910956
- Product Box Dimensions: 18,5 x 10 x 9 cm
- Master Carton Dimensions: 21,5 X 20 X 20 cm
- Units per Master Carton: 4
- Product Weight: 0,25 Kg
- Master Carton Weight: 1,22 Kg
- M. Carton Volume: 0,009 m³



Mercedes AMG GT3 - Black Falcon

Available

Ref:U10278X300

DATA

- EAN: 8436572910546
- DUN: 18436572910543
- Product Box Dimensions: 18,5 x 10 x 9 cm
- Master Carton Dimensions: 21,5 X 20 X 20 cm
- Units per Master Carton: 4
- Product Weight: 0,25 Kg
- Master Carton Weight: 1,22 Kg
- M. Carton Volume: 0,009 m³



Audi S1 WRX - Monster

Available

Ref: U10319X300



DATA

- EAN: 8436572911031
- DUN: 18436572911038
- Product Box Dimensions: 18,5 x 10 x 9 cm
- Master Carton Dimensions: 21,5 X 20 X 20 cm
- Units per Master Carton: 4
- Product Weight: 0,25 Kg
- Master Carton Weight: 1,22 Kg
- M. Carton Volume: 0,009 m³



MG A 1955 - Le Mans

Available

Ref: U10318X300



DATA

- EAN: 8436572911017
- DUN: 18436572911014
- Product Box Dimensions: 18,5 x 10 x 9 cm
- Master Carton Dimensions: 21,5 X 20 X 20 cm
- Units per Master Carton: 4
- Product Weight: 0,25 Kg
- Master Carton Weight: 1,22 Kg
- M. Carton Volume: 0,009 m³



SCX Porsche Rally - Orriols

Available

Ref: U10332X300



DATA

- EAN: 8436572910997
- DUN: 18436572910994
- Product Box Dimensions: 18,5 x 10 x 9 cm
- Master Carton Dimensions: 21,5 X 20 X 20 cm
- Units per Master Carton: 4
- Product Weight: 0,25 Kg
- Master Carton Weight: 1,22 Kg
- M. Carton Volume: 0,009 m³



Renault Alpine A110 - Mouton

Available

Ref:U10238X300



DATA

- EAN: 8436572910584
- DUN: 18436572910581
- Product Box Dimensions: 18,5 x 10 x 9 cm
- Master Carton Dimensions: 21,5 X 20 X 20 cm
- Units per Master Carton: 4
- Product Weight: 0,25 Kg
- Master Carton Weight: 1,22 Kg
- M. Carton Volume: 0,009 m³



SCX[®] 

ORIGINAL 1:32 SLOT RACING SYSTEM

Accessories

Straight Track 360mm 1 lane (4)

April / May **NEW**

Ref: U10399X200

DATA

- EAN: 8436572912052
- DUN: 18436572912059
- Product Box Dimensions: TBC
- Master Carton Dimensions: TBC
- Units per Master Carton: 4
- Product Weight: TBC
- Master Carton Weight: TBC
- M. Carton Volume: TBC



Curve 1 lane ext of Int (4)

April / May **NEW**

Ref: U10400X200

DATA

- EAN: 8436572912069
- DUN: 18436572912066
- Product Box Dimensions: TBC
- Master Carton Dimensions: TBC
- Units per Master Carton: 4
- Product Weight: TBC
- Master Carton Weight: TBC
- M. Carton Volume: TBC



Sliding Chicane Curved Track

August / September **NEW**

Ref: U10398X100

DATA

- EAN: 8436572912458
- DUN: 18436572912455
- Product Box Dimensions: TBC
- Master Carton Dimensions: TBC
- Units per Master Carton: 4
- Product Weight: TBC
- Master Carton Weight: TBC
- M. Carton Volume: TBC



Border Inner Curve (4+4)

Available

Ref: U10327X200

DATA

- EAN: 8436572911130
- DUN: 18436572911137
- Product Box Dimensions: 34,8 x 22 x 2,1 cm
- Master Carton Dimensions: 36,3 x 14,1 x 23,5 cm
- Units per Master Carton: 6
- Product Weight: 0,18 kg
- Master Carton Weight: 1,4 kg
- M. Carton Volume: 0,012 m³



Adaptation Track (2)

Available

Ref: U10364X200

DATA

- EAN: 8436572911277
- DUN: 18436572911274
- Product Box Dimensions: 34,8 x 22 x 2,1 cm
- Master Carton Dimensions: 36,3 x 14,1 x 23,5 cm
- Units per Master Carton: 6
- Product Weight: 0,18 kg
- Master Carton Weight: 1,4 kg
- M. Carton Volume: 0,012 m³



Braids (4)

Available in April

Ref: U10359X400

DATA

- EAN: 8436572911253
- DUN: 18436572911250
- Product Box Dimensions: TBC
- Master Carton Dimensions: TBC
- Units per Master Carton: 50
- Product Weight: TBC
- Master Carton Weight: TBC
- M. Carton Volume: TBC



Electronic Power Pack 14V.

Available

Ref: U10294X200

DATA

- EAN: 8436572910409
- DUN: 18436572910406
- Product Box Dimensions: 25,4 x 21,7 x 6 cm
- Master Carton Dimensions: 26,9 x 25,5 x 32,2 cm
- Units per Master Carton: 4
- Product Weight: 0,24 kg
- Master Carton Weight: 1,35 kg
- M. Carton Volume: 0,016 m³



Bridge Track Fly Over Supports (6)

Available

Ref: U10295X200

DATA

- EAN: 8436572910416
- DUN: 18436572910413
- Product Box Dimensions: 34,8 x 22 x 3 cm
- Master Carton Dimensions: 36,3 x 13,5 x 23,5 cm
- Units per Master Carton: 4
- Product Weight: 0,24 kg
- Master Carton Weight: 1,24 kg
- M. Carton Volume: 0,012 m³



45° Standard Curve Track (2)

Available

Ref: U10296X200

DATA

- EAN: 8436572910423
- DUN: 18436572910420
- Product Box Dimensions: 49,6 x 22 x 2,1 cm
- Master Carton Dimensions: 51,1 x 14,1 x 23,5 cm
- Units per Master Carton: 6
- Product Weight: 0,39 kg
- Master Carton Weight: 2,78 kg
- M. Carton Volume: 0,017 m³



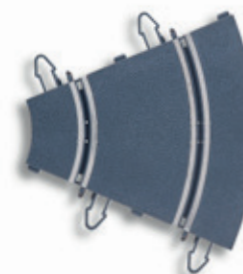
Inner Curve Track (2)

Available

Ref: U10301X200

DATA

- EAN: 8436572910638
- DUN: 18436572910635
- Product Box Dimensions: 34,8 x 22 x 2,1 cm
- Master Carton Dimensions: 36,3 x 14,1 x 23,5 cm
- Units per Master Carton: 6
- Product Weight: 0,28 kg
- Master Carton Weight: 2 kg
- M. Carton Volume: 0,012 m³



Outer Curve Track (2)

Available

Ref: U10322X200

DATA

- EAN: 8436572911086
- DUN: 18436572911083
- Product Box Dimensions: 34,8 x 22 x 2,1 cm
- Master Carton Dimensions: 36,3 x 14,1 x 23,5 cm
- Units per Master Carton: 6
- Product Weight: 0,26 kg
- Master Carton Weight: 1,88 kg
- M. Carton Volume: 0,012 m³



Standard Straight Track 360 mm (2)

Available

Ref: U10297X200

DATA

- EAN: 8436572910430
- DUN: 18436572910437
- Product Box Dimensions: 49,6 x 22 x 2,1 cm
- Master Carton Dimensions: 51,1 x 14,1 x 23,5 cm
- Units per Master Carton: 6
- Product Weight: 0,49 kg
- Master Carton Weight: 3,36 kg
- M. Carton Volume: 0,017 m³



Straight Track 180 mm (2)

Available

Ref: U10298X200

DATA

- EAN: 8436572910447
- DUN: 18436572910444
- Product Box Dimensions: 34,8 x 22 x 2,1 cm
- Master Carton Dimensions: 36,3 x 14,1 x 23,5 cm
- Units per Master Carton: 6
- Product Weight: 0,28 kg
- Master Carton Weight: 1,99 kg
- M. Carton Volume: 0,012 m³



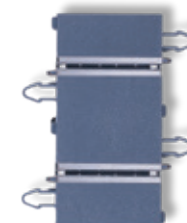
Straight Track 90 mm (2)

Available

Ref: U10323X200

DATA

- EAN: 8436572911093
- DUN: 18436572911090
- Product Box Dimensions: 34,8 x 22 x 2,1 cm
- Master Carton Dimensions: 36,3 x 14,1 x 23,5 cm
- Units per Master Carton: 6
- Product Weight: 0,18 kg
- Master Carton Weight: 1,4 kg
- M. Carton Volume: 0,012 m³



Guardrail for 45° STD Curve (8)

Available

Ref: U10299X200

DATA

- EAN: 8436572910454
- DUN: 18436572910451
- Product Box Dimensions: 49,6 x 22 x 3,3 cm
- Master Carton Dimensions: 51,1 x 14,1 x 23,5 cm
- Units per Master Carton: 6
- Product Weight: 0,31 kg
- Master Carton Weight: 2,51 kg
- M. Carton Volume: 0,026 m³



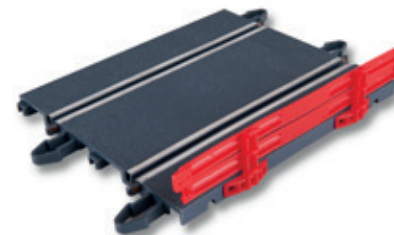
Guardrail for Straight Track 180 mm (8)

Available

Ref: U10324X200

DATA

- EAN: 8436572911109
- DUN: 18436572911106
- Product Box Dimensions: 49,6 x 22 x 3,3 cm
- Master Carton Dimensions: 51,1 x 21,3 x 23,5 cm
- Units per Master Carton: 6
- Product Weight: 0,31 kg
- Master Carton Weight: 2,51 kg
- M. Carton Volume: 0,026 m³



Border Close (2+2)

Available

Ref: U10325X200

DATA

- EAN: 8436572911116
- DUN: 18436572911113
- Product Box Dimensions: 34,8 x 22 x 2,1 cm
- Master Carton Dimensions: 36,3 x 14,1 x 23,5 cm
- Units per Master Carton: 6
- Product Weight: 0,21 kg
- Master Carton Weight: 1,58 kg
- M. Carton Volume: 0,012 m³



Border Standard curve (4)

Available

Ref: U10326X200

DATA

- EAN: 8436572911123
- DUN: 18436572911120
- Product Box Dimensions: 49,6 x 22 x 3,3 cm
- Master Carton Dimensions: 51,1 x 21,3 x 23,5 cm
- Units per Master Carton: 6
- Product Weight: 0,26 kg
- Master Carton Weight: 1,88 kg
- M. Carton Volume: 0,026 m³



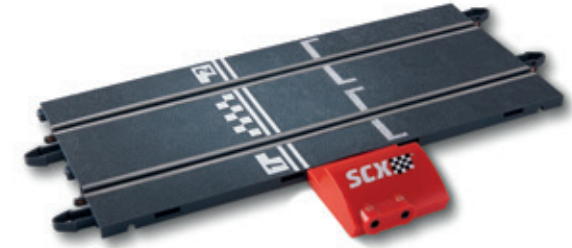
Connect Track - Original

Available

Ref: U10360X400

DATA

- EAN: 8436572911260
- DUN: 18436572911267
- Product Box Dimensions: 23,5 x 42 x 3,5 cm
- Master Carton Dimensions: 46 x 19 x 28 cm
- Units per Master Carton: 4
- Product Weight: 0,5 kg
- Master Carton Weight: 2,1 kg
- M. Carton Volume: 0,024 m³



(carton box)

Standard Handcontroller

Available

Ref:A10280X200

DATA

- EAN: 8436572910263
- DUN: 18436572910260
- Product Box Dimensions: 34,8 x 22 x 3,8 cm
- Master Carton Dimensions: 36,3 x 16,7 x 23,5 cm
- Units per Master Carton: 4
- Product Weight: 0,2 kg
- Master Carton Weight: 1,11 kg
- M. Carton Volume: 0,014 m³



Available

Guide with Braids (3)

Ref:A10281X400

DATA

- EAN: 8436572910270
- DUN: 18436572910277
- Product Box Dimensions: 18,3 x 8,2 x 1,6 cm
- Master Carton Dimensions: 20,7 x 9,7 x 20,5 cm
- Units per Master Carton: 12
- Product Weight: 0,0 kg
- Master Carton Weight: 0,36 kg
- M. Carton Volume: 0,004 m³



Available

Race Manager

Ref:A10282X100

DATA

- EAN: 8436572910287
- DUN: 18436572910284
- Product Box Dimensions: 17,8 x 25,5 x 13,8 cm
- Master Carton Dimensions: 37,1 x 29,1 x 27 cm
- Units per Master Carton: 4
- Product Weight: 0,5 kg
- Master Carton Weight: 2,87 kg
- M. Carton Volume: 0,029 m³





In a digital and technological world, 1/32 scale competitions could not lag behind. Back to 2003, our brand SCX was the first in the world introducing digital technology to 1/32 cars and competitions. Since then, many new technologies and improvements have been implemented achieving incredible features and settings. Today, all communications between cars and pilots are driven by radio and cars/races set through tablets or smartphones.

More features to underline:

- Bluetooth connect for tablets and smartphones communication.
- Wireless hand controls only
- Easy connection to social networks
- Best system changing tracks.
- Unbeatable control and driving feeling.
- 9 cars racing simultaneously.

SCX[®] 
ADVANCE

Racing Sets

GT3 Series

August / September **NEW**

Ref: E10402X500



71 x 51,5 x 12 cm

including cars with lights in the box for the 1st time!

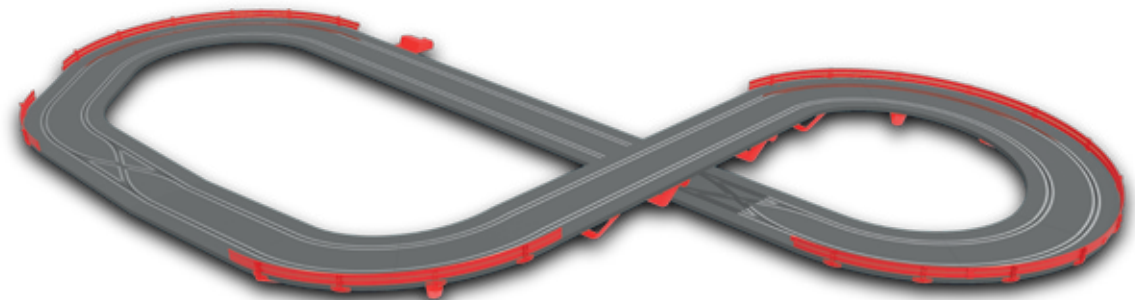
WITH LIGHTS



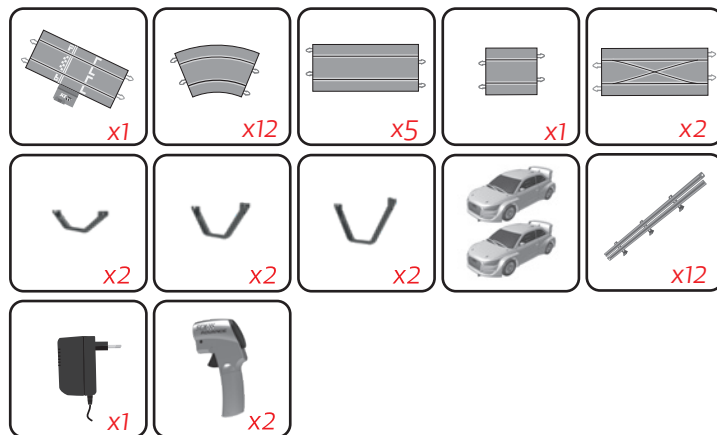
SCX Aston Martin Vantage GT3 - NBO



SCX Porsche 911 GT3 - Hybrid



220 x 184 cm



CONTENTS

- 5,9 m. Track lenght
- 1 x Aston Martin Vantage GT3
- 1 x Porsche 911 GT3
- 12 x 45° Standard Curve
- 5 x Standard Straigh Track 360 mm
- 1 x Straigh Track 180mm.
- 2 x Overtaking-Crossing Track
- 1 x Connection Straigh track
- 12 x Guardrail
- 1 x Bridge Track Fly Over Supports
- 2 x Wreless handcontrollers
- 1 x 14V. Power Pack

DATA

- EAN: 8436572912090
- DUN: 18436572912097
- Product box dimensions: 71,5 x 51,8 x 18,2 cm
- Master carton dimensions: 73 x 37,8 x 55,3 cm
- Units per master carton: 2
- Product weigh: 7,2 kg
- Master carton wheight: 16 kg
- M. carton volume: 0,147 m³

SET

SCX
ADVANCE

SCX[®] 
ADVANCE

Cars

SCX Aston Martin Vantage GT3 - St.Gallen

August / September

NEW

Ref: E10393X300

DATA

- EAN: 8436572911932
- DUN: 18436572911939
- Product Box Dimensions: 17,5 x 11 x 10,5 cm
- Master Carton Dimensions: 22 x 19 x 11 cm
- Units per Master Carton: 2
- Product Weight: 0,25 kg
- Master Carton Weight: 0,60 kg
- M. Carton Volume: 0,0045 m³



Audi R8 LMS GT3 - Scherer

August / September

NEW

Ref: E10387X300

DATA

- EAN: 8436572911734
- DUN: 18436572911731
- Product Box Dimensions: 17,5 x 11 x 10,5 cm
- Master Carton Dimensions: 22 X 19 X 11 cm
- Units per Master Carton: 2
- Product Weight: 0,25 Kg
- Master Carton Weight: 0,60 Kg
- M. Carton Volume: 0,0045 m³



Audi S1 RX - Blaklader

August / September

NEW

Ref: E10388X300



DATA

- EAN: 8436572911772
- DUN: 18436572911779
- Product Box Dimensions: 17,5 x 11 x 10,5 cm
- Master Carton Dimensions: 22 X 19 X 11 cm
- Units per Master Carton: 2
- Product Weight: 0,25 Kg
- Master Carton Weight: 0,60 Kg
- M. Carton Volume: 0,0045 m³



CARS

Hyundai i-20 RX - Gronholm

August / September

NEW

Ref: E10391X300



DATA

- EAN: 8436572911871
- DUN: 18436572911878
- Product Box Dimensions: 17,5 x 11 x 10,5 cm
- Master Carton Dimensions: 22 x 19 x 11 cm
- Units per Master Carton: 2
- Product Weight: 0,25 kg
- Master Carton Weight: 0,60 kg
- M. Carton Volume: 0,0045 m³


SCX
 ADVANCE

Hyundai i-20 - Sordo

August / September

NEW

Ref: E10390X300



DATA

- EAN: 8436572911833
- DUN: 18436572911830
- Product Box Dimensions: 17,5 x 11 x 10,5 cm
- Master Carton Dimensions: 22 x 19 x 11 cm
- Units per Master Carton: 2
- Product Weight: 0,25 kg
- Master Carton Weight: 0,60 kg
- M. Carton Volume: 0,0045 m³



CARS

Mercedes AMG GT3 - Nefis

August / September

NEW

Ref: E10386X300



DATA

- EAN: 8436572911697
- DUN: 18436572911694
- Product Box Dimensions: 17,5 x 11 x 10,5 cm
- Master Carton Dimensions: 22 x 19 x 11 cm
- Units per Master Carton: 2
- Product Weight: 0,25 kg
- Master Carton Weight: 0,60 kg
- M. Carton Volume: 0,0045 m³


SCX
 ADVANCE

SCX Porsche 911 GT3 - Hybrid

August / September

NEW

Ref: E10395X300



DATA

- EAN: 8436572911994
- DUN: 18436572911991
- Product Box Dimensions: 17,5 x 11 x 10,5 cm
- Master Carton Dimensions: 22 x 19 x 11 cm
- Units per Master Carton: 2
- Product Weight: 0,25 kg
- Master Carton Weight: 0,60 kg
- M. Carton Volume: 0,0045 m³



CARS

Audi R8 LMS GT3 - Sainteloc

Available

Ref: E10285X300



DATA

- EAN: 8436572910614
- DUN: 18436572910611
- Product Box Dimensions: 17,5 x 11 x 10,5 cm
- Master Carton Dimensions: 22 X 19 X 11 cm
- Units per Master Carton: 2
- Product Weight: 0,25 Kg
- Master Carton Weight: 0,60 Kg
- M. Carton Volume: 0,0045 m³


SCX
 ADVANCE

Lancia Fulvia 1.6 HF - San Remo '72

Available

Ref: E10286X300



DATA

- EAN: 8436572910621
- DUN: 18436572910628
- Product Box Dimensions: 17,5 x 11 x 10,5 cm
- Master Carton Dimensions: 22 X 19 X 11 cm
- Units per Master Carton: 2
- Product Weight: 0,25 Kg
- Master Carton Weight: 0,60 Kg
- M. Carton Volume: 0,0045 m³



Mercedes AMG GT3 - Sports Code

Available

Ref: E10284X300



DATA

- EAN: 8436572910607
- DUN: 18436572910604
- Product Box Dimensions: 17,5 x 11 x 10,5 cm
- Master Carton Dimensions: 22 X 19 X 11 cm
- Units per Master Carton: 2
- Product Weight: 0,25 Kg
- Master Carton Weight: 0,60 Kg
- M. Carton Volume: 0,0045 m³



Mercedes AMG GT3 - Vodafone

Available

Ref: E10331X300



DATA

- EAN: 8436572911215
- DUN: 18436572911212
- Product Box Dimensions: 17,5 x 11 x 10,5 cm
- Master Carton Dimensions: 22 X 19 X 11 cm
- Units per Master Carton: 2
- Product Weight: 0,25 Kg
- Master Carton Weight: 0,60 Kg
- M. Carton Volume: 0,0045 m³



SCX Porsche Rally - Orriols

Available

Ref: E10332X300

DATA

- EAN: 8436572911239
- DUN: 18436572911236
- Product Box Dimensions: 17,5 x 11 x 10,5 cm
- Master Carton Dimensions: 22 X 19 X 11 cm
- Units per Master Carton: 2
- Product Weight: 0,25 Kg
- Master Carton Weight: 0,60 Kg
- M. Carton Volume: 0,0045 m³



SCX[®] 
ADVANCE

Accessories

Advance Wireless hand Control 2.0

August / September

NEW

Ref: E10408X200

2.0 Version with updated software for improved performance

DATA

- EAN: 8436572912557
- DUN: 18436572912554
- Product Box Dimensions: 25,4 x 21,7 x 3,2 cm
- Master Carton Dimensions: 26,9 x 14,3 x 23,2 cm
- Units per Master Carton: 4
- Product Weight: 0,2 kg
- Master Carton Weight: 1 kg
- M. Carton Volume: 0,009 m³



(blister)

Advance Wireless hand Control

Ref: E10287X200

DATA

- EAN: 8436572910331
- DUN: 18436572910338

Advance Car Upgrade Kit Type A 2.0 (1)

August / September

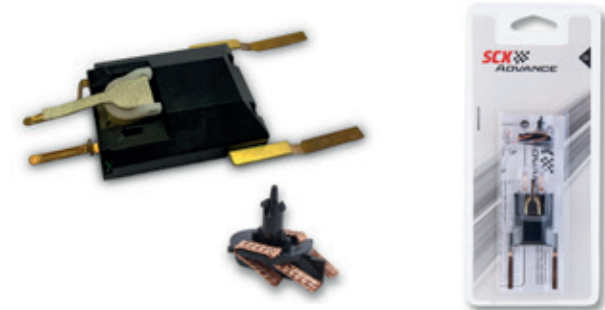
NEW

Ref: E10405X200

2.0 Version with updated software for improved performance

DATA

- EAN: 8436572912113
- DUN: 18436572912110
- Product Box Dimensions: 18,3 x 8,2 x 2 cm
- Master Carton Dimensions: 7,5 x 9,7 x 7,5 cm
- Units per Master Carton: 3
- Product Weight: 0,0 kg
- Master Carton Weight: 0,1 kg
- M. Carton Volume: 0,001 m³



Advance Car Upgrade Kit Type B 2.0 (1)

August / September

NEW

Ref: E10406X200

2.0 Version with updated software for improved performance

DATA

- EAN: 8436572912137
- DUN: 18436572912134
- Product Box Dimensions: 18,3 x 8,2 x 2 cm
- Master Carton Dimensions: 7,5 x 9,7 x 7,5 cm
- Units per Master Carton: 3
- Product Weight: 0,0 kg
- Master Carton Weight: 0,1 kg
- M. Carton Volume: 0,001 m³



Circuit Conversion Kit 2.0 to Advance

August / September

NEW

Ref: E10407X200

2.0 Version with updated software for improved performance

DATA

- EAN: 8436572912540
- DUN: 18436572912547
- Product Box Dimensions: 49,6 x 22 x 5,1 cm
- Master Carton Dimensions: 51,1 x 11,7 x 23,5 cm
- Units per Master Carton: 2
- Product Weight: 0,6 kg
- Master Carton Weight: 1,6 kg
- M. Carton Volume: 0,014 m³



Circuit Conversion Kit to Advance

Ref: E10293X200

DATA

- EAN: 8436572910393
- DUN: 18436572910390



Left & Right Deviation Tracks Set

 August / September **NEW**
Ref: E10403X200
DATA

- EAN: 8436572912106
- DUN: 18436572912103
- Product Box Dimensions: TBC
- Master Carton Dimensions: TBC
- Units per Master Carton: 6
- Product Weight: TBC
- Master Carton Weight: TBC
- M. Carton Volume: TBC



Advance Guide with Braids (3)

Ref: E10290X200
DATA

- EAN: 8436572910362
- DUN: 18436572910369
- Product Box Dimensions: 18,3 x 8,2 x 2 cm
- Master Carton Dimensions: 13,5 x 9,7 x 13,5 cm
- Units per Master Carton: 6
- Product Weight: 0,0 kg
- Master Carton Weight: 0,2 kg
- M. Carton Volume: 0,002 m³

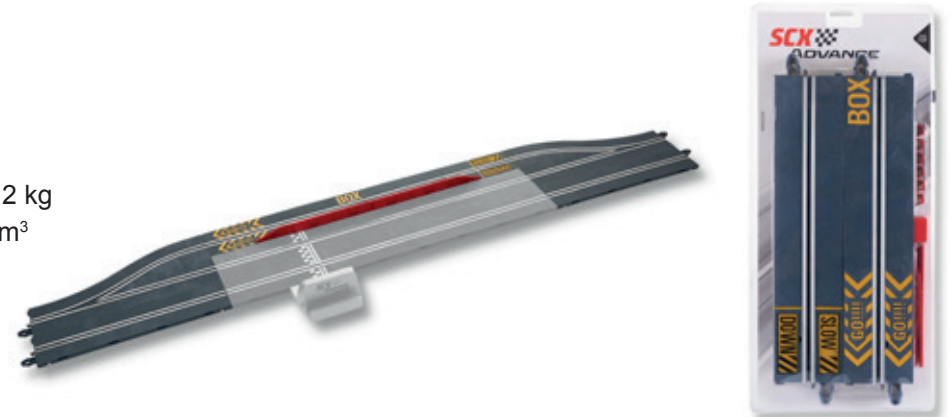


Advance Pit Lane Tracks

Available

Ref: E10291X200
DATA

- EAN: 8436572910379
- DUN: 18436572910376
- Product Box Dimensions: 49,6 x 22 x 6,1 cm
- Master Carton Dimensions: 51,1 x 14,5 x 23,5 cm
- Units per Master Carton: 2
- Product Weight: 0,9 kg
- Master Carton Weight: 2,2 kg
- M. Carton Volume: 0,017 m³



Connect Bluetooth Track

Available

Ref: E10292X200

DATA

- EAN: 8436572910386
- DUN: 18436572910383
- Product Box Dimensions: 51,4 x 26,8 x 3,7 cm
- Master Carton Dimensions: 52,9 x 8,9 x 28,3 cm
- Units per Master Carton: 2
- Product Weight: 0,4 kg
- Master Carton Weight: 1,2 kg
- M. Carton Volume: 0,013 m³



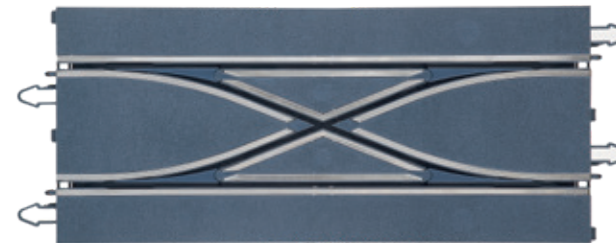
Overtaking-Crossing Track (2)

Available

Ref: E10288X200

DATA

- EAN: 8436572910348
- DUN: 18436572910345
- Product Box Dimensions: 49,6 x 22 x 2,1 cm
- Master Carton Dimensions: 51,1 x 14,1 x 23,5 cm
- Units per Master Carton: 6
- Product Weight: 0,7 kg
- Master Carton Weight: 4,8 kg
- M. Carton Volume: 0,017 m³



SCX[®] COMPACT



1/43 Scale

SCX[®] ORIGINAL 1:32 SLOT RACING SYSTEM



1/32 Scale
Original System

SCX[®] ADVANCE



1/32 Scale
Digital System

SCX[®] Scale
Competition
Xtreme S.L.

Jordi Capdevila
Internationa Sales Manager
internationalsales@scx.es
+3493278082